

WATER CHAMP® CHEMICAL INDUCTION SYSTEM 4" SUBMERSIBLE F SERIES MODEL NO. SWC3F

General Description

The Water Champ® Submersible Chemical Induction System is an innovative device designed for the application of a variety of chemicals used for the treatment of potable water and wastewater. The unique feature of the Water Champ® System is its ability to provide instantaneous mixing and diffusion.

The "F" Series submersible offers the highest quality of design and construction of any submersible chemical induction unit. The hermetically sealed 316 SS motor offers the highest level of durability and performance required for chemical feed applications. Most wetted materials are constructed from Grade 2 Titanium (unalloyed) and are designed for use with most treatment chemicals. The innovative mounting is configured for mounting in open-channel applications and can be easily retrofitted to existing basins and tanks.

Features

- Titanium wetted parts*
- Rugged construction
- Heavy duty bearing design

Key Benefits

- Instantaneous diffusion and mixing
- Energy and chemical savings
- Maximum chemical concentration with no off-gassing
- Warranty - 1 year from start-up or 18 months after delivery whichever occurs first

SPECIFICATIONS

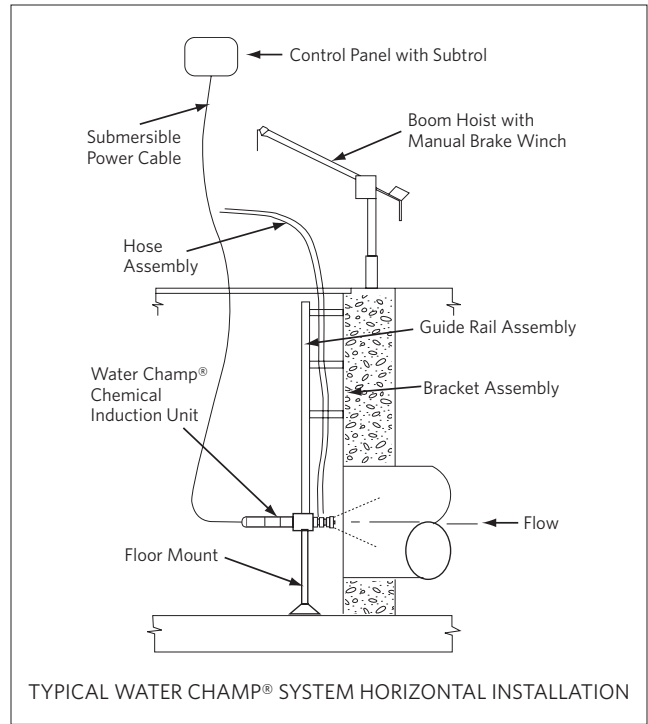
Model No.	KW (HP)	Max. Gas Induction CL ² kg/d (ppd)	Max.Liquid Induction lpm US gpm	Max. Vacuum kPa (in Hg)
SWC3F	2.2 (3)	680.3 (1,500**)	56.8 (15**)	.61 (18)

* Custom materials quoted upon request.

** Feed rates are application dependent (consult factory).

MATERIALS OF CONSTRUCTION

Part	Material
Vacuum Chamber	Titanium
Vacuum Port	Titanium
Vacuum Enhancer	Non-Metallic
Propeller	Titanium
Propeller Bolt	Titanium
Shaft	Titanium
Mechanical Seals	Carbon / Ceramic
Motor	316 Stainless Steel
Power Cable	TC Type (25 ft standard)
Hardware	316 Stainless Steel



MOTOR PERFORMANCE DATA

Model	KW (HP)	Volts	Phase	Hertz	RPM	Insulation	S.F.	FLA Rated Input Amps	SFA Max. Input Amps	Locked Rotor Amps	Power Factor %			Efficiency %		
											S.F.	F.L.	3/4	S.F.	F.L.	3/4
SWC3F	2.2 (3)	200	3	60	3450	Class B	1.15	10.9	12.5	71	81.5	77.8	69.5	75.5	75.2	73.2
SWC3F	2.2 (3)	230	3	60	3450	Class B	1.15	9.5	10.9	62	81.5	77.8	69.5	75.5	75.2	73.2
SWC3F	2.2 (3)	230	1	60	3450	Class B	1.15	Y 14 B 12.2 R 4.7	Y 17 B 14.5 R 4.5	82	98	97.5	96	70.9	71.8	69.6
SWC3F	2.2 (3)	460	3	60	3450	Class B	1.15	4.8	5.5	31	81.5	77.8	69.5	75.5	75.2	73.2
SWC3F	2.2 (3)	575	3	60	3450	Class B	1.15	6.4	7.1	25	81.5	77.8	69.5	75.5	75.2	73.2



181 Thorn Hill Road, Warrendale, PA 15086

+1 (866) 926-8420 (toll-free) +1 (978) 614-7233 (toll)

www.evoqua.com

Water Champ is a trademark of Evoqua, its subsidiaries or affiliates in some countries..

All information presented herein is believed reliable and in accordance with accepted engineering practices. Evoqua makes no warranties as to the completeness of this information. Users are responsible for evaluating individual product suitability for specific applications. Evoqua assumes no liability whatsoever for any special, indirect or consequential damages arising from the sale, resale or misuse of its products.

© 2016 Evoqua Water Technologies LLC Subject to change without notice ST.070.310.S03.IE.PS.0316