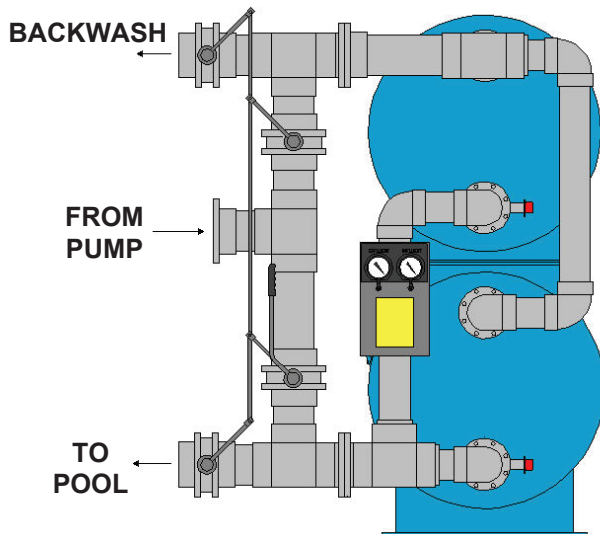
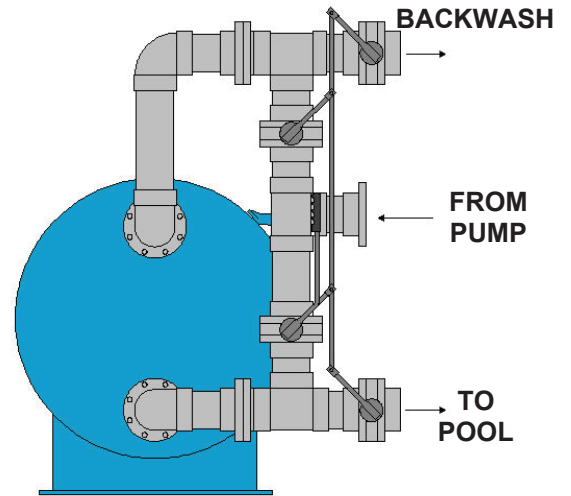


FACE PIPING

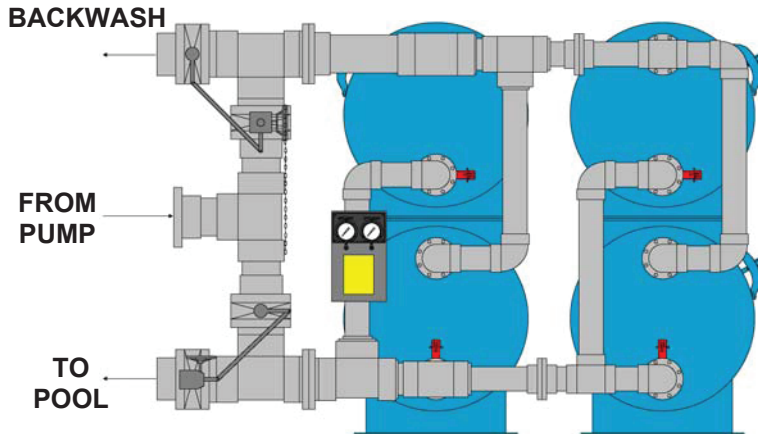
Face Piping Options



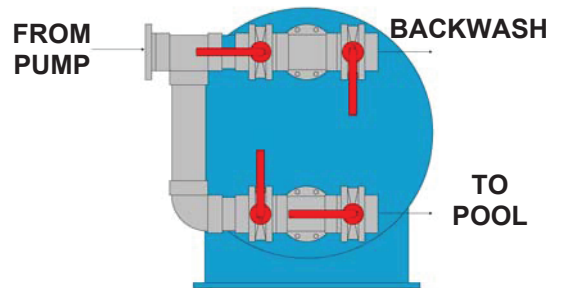
SLM on (2) SHFFGS



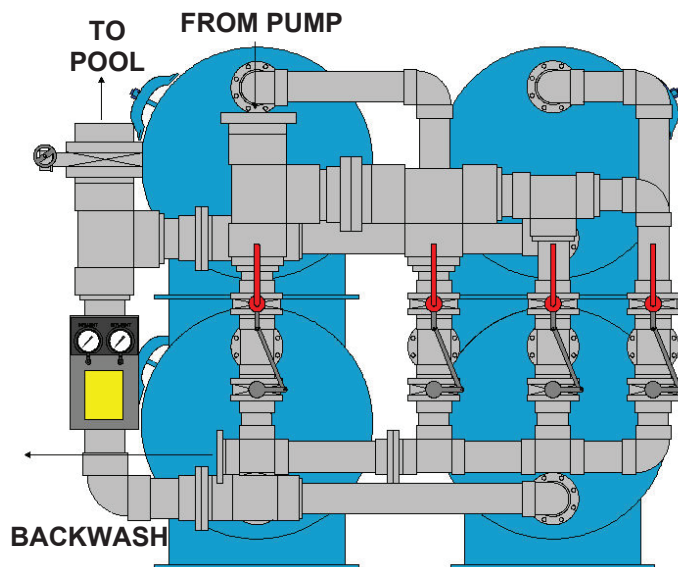
SLM on SHFFG



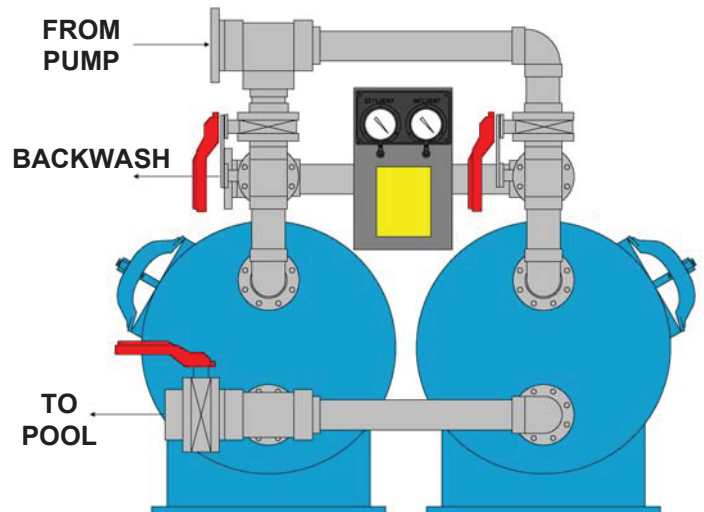
DLM on (4)SHFFGS



Lever Op. on SHFFG



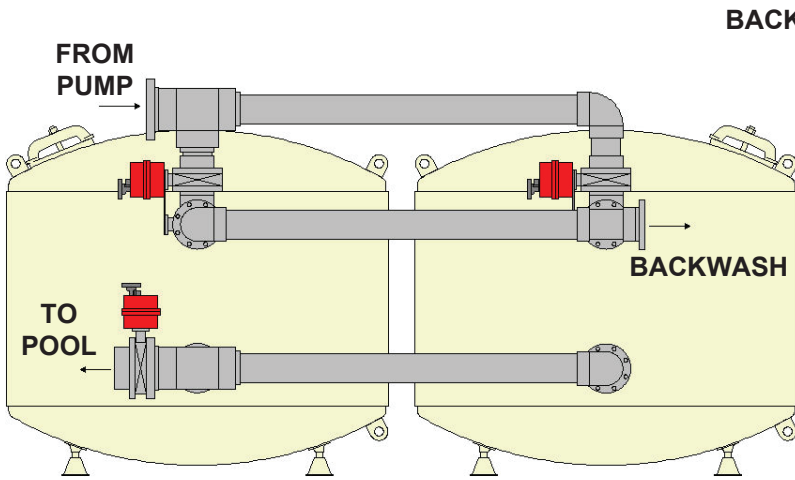
3-Way Lever Op. on (4) SHFFGS



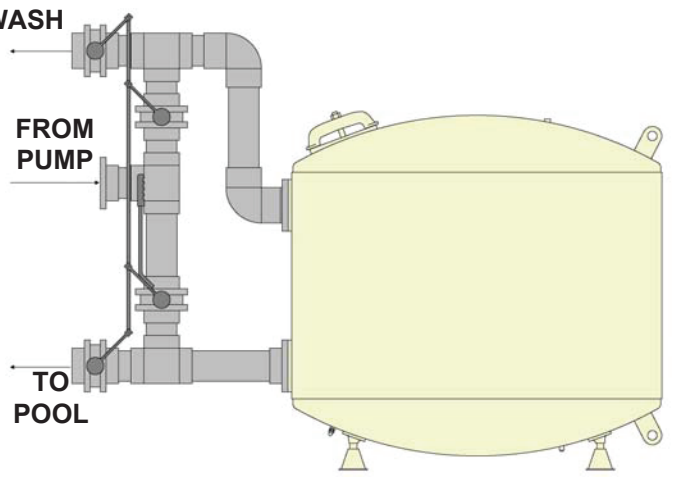
3-Way Lever Op. on (2)SHFFG

FACE PIPING

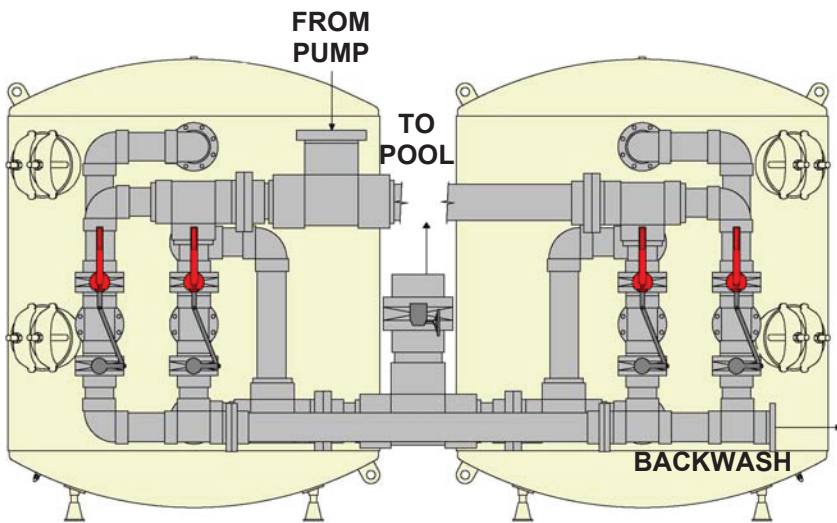
Face Piping Options



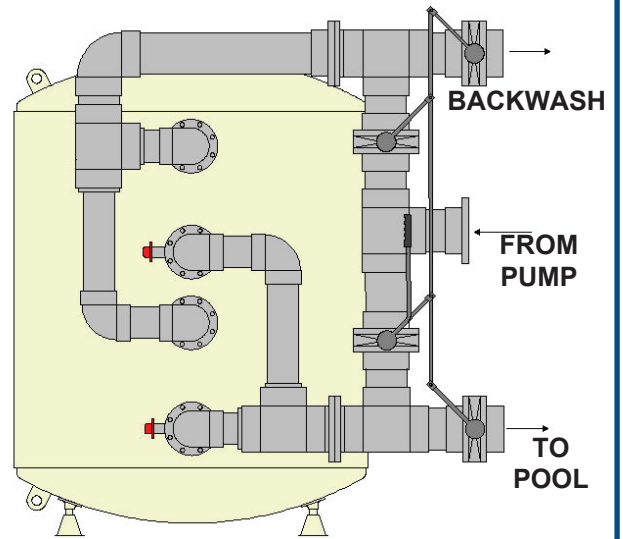
3-Way Electric on DRF



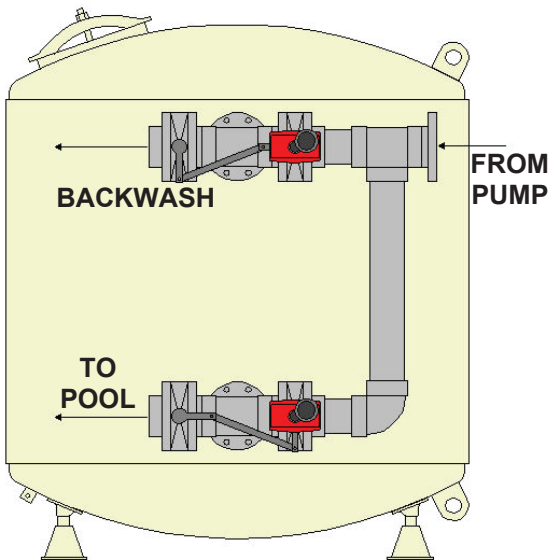
SLM on SRF



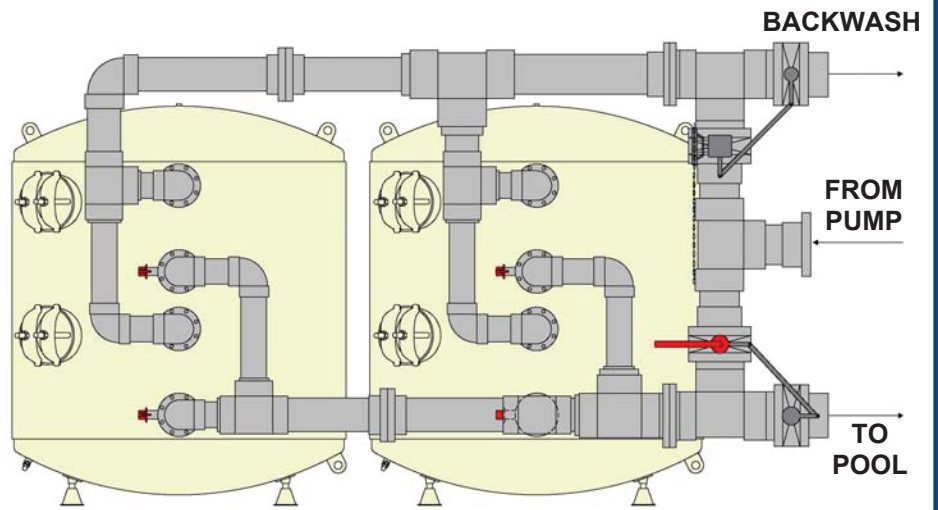
3-Way Lever Op. on DDC



SLM on SDC



3-Way Electric on SRF



DLM on DDC

THREE (3)-WAY VALVE CONTROL ASSEMBLY

- A. A mechanical linkage shall connect two (2) valves in order to create simultaneous movement.
- B. Connecting pieces shall vary with the size of face piping in order to operate with suitable mechanical advantage.
- C. All linkage parts shall be T304 stainless steel.
- D. Linkage shall be designed so that filter and backwash cycles can be accomplished by repositioning a pair of valves.
- E. Each pair of valves shall be operated as specified with lever, gear or electric actuation.
- F. All linkage components shall be grit blasted to a 1-2 mil profile. Blast media shall be completely non-ferric.
- G. All linkage components shall be finish coated with 3-4 mils DFT of Type 316 pigmented stainless steel paint.