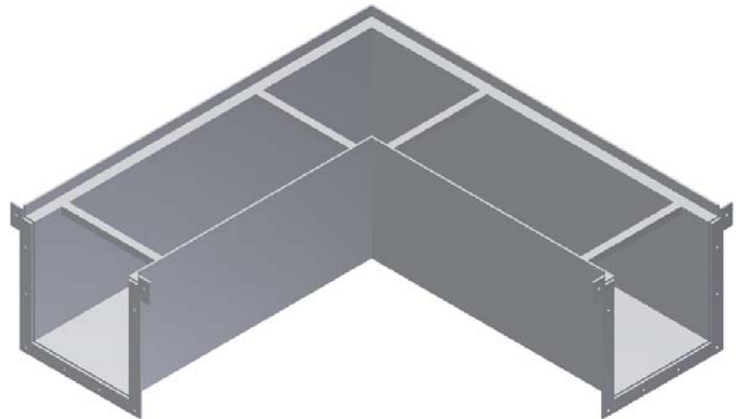


FIBERGLASS RIM-FLOW GUTTER SYSTEMS

- All sections will a gelcoat finish to provide a sanitary smooth finish for fast water flow.
- The individual fiberglass sections to be available in lengths up to 8 feet
- Available in white
- 10 year warranty

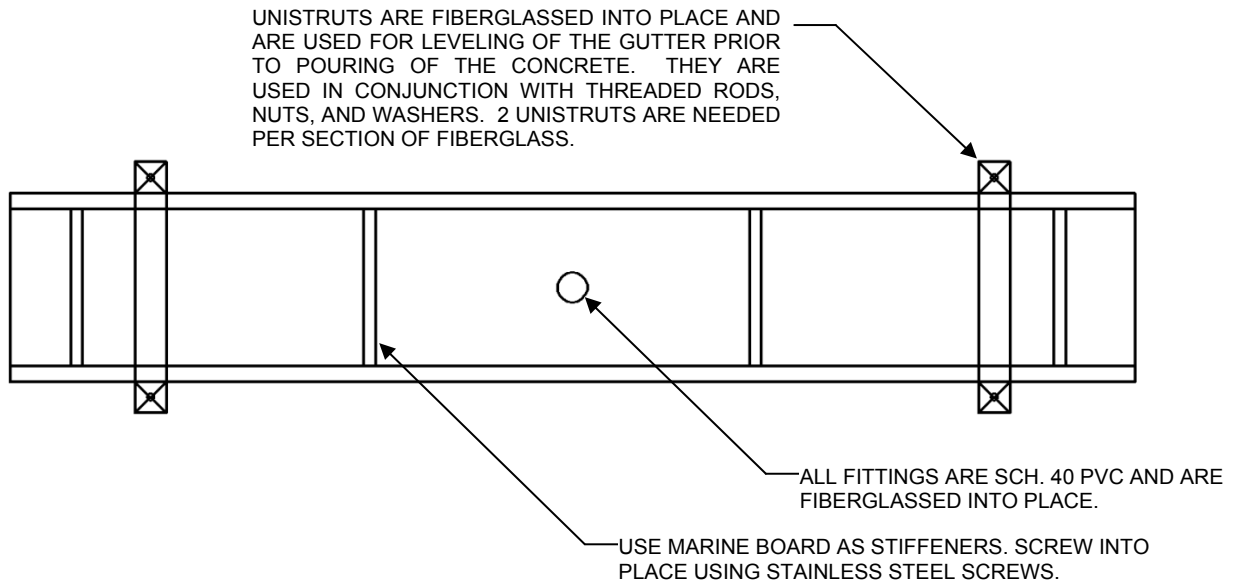


SPECIFICATIONS	
Size	Sections available in lengths up to 8 feet
Model	FG-RFG
Material	8oz. Fiberglass Mat, Marine quality resin and colored gel coat
Gel Coat	White

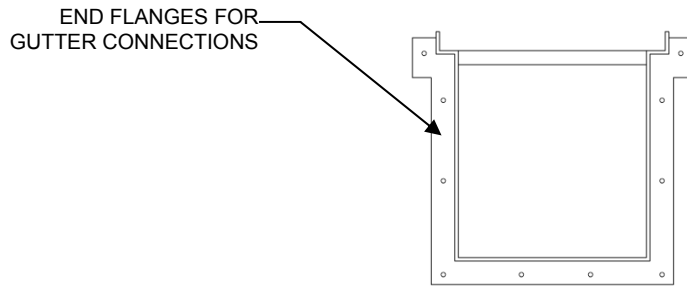
Molded Corners

90° (shown) and 45° available
Note: Custom radii and corners also available

Custom-made fiberglass pool gutters and trench drains to be made of reinforced fiber polyester and a structural mat giving to exceptional strength. All sections will have a gelcoat finish to provide a sanitary smooth finish for fast water flow. The individual fiberglass sections to be available in lengths up to 8 feet and are to be flanged, predrilled and include the necessary stainless steel hardware for bolting the sections together. The width and depth of the gutter will be to specifications provided. Straight and radius sections will also be per specifications. Outlet pipe connectors installed by manufacturer to the size and position as shown in pool specifications. Installation per manufacturers recommendations.



PLAN VIEW



END VIEW

GUTTER ORDERING INFORMATION

Part Number	Description
FI-STRAIGHT	FIBERGLASS GUTTER – STRAIGHT
FI-RADIUS	FIBERGLASS GUTTER – RADIUS

The fiberglass gutter is fabricated using 8 oz fiberglass mat, marine quality resin and colored gel coat. The gel coat is only applied to the inside of the gutter. The gutter is assembled using the flanges and bolting them together with 1/4 x 2 stainless steel nuts, washer and bolts. The wall thickness is approximately 3/16". Custom sizes and radius gutters are available.

All drawing dimensions supplied by Neptune-Benson, are for reference only. All cad files were created using AutoCAD file format (*.dwg) and are presented as a service to our customers. Errors sometimes occur during this process and with software incompatibility upon opening a file. Neptune-Benson, and/or any authorized distributor of our products will not be held responsible for problems arising from files which have been converted and does not warranty the documents against deficiencies or typographical errors of any kind. We recommend that all measurements are verified with actual physical product before any custom fabrication in the field occurs.

R 06/20/19