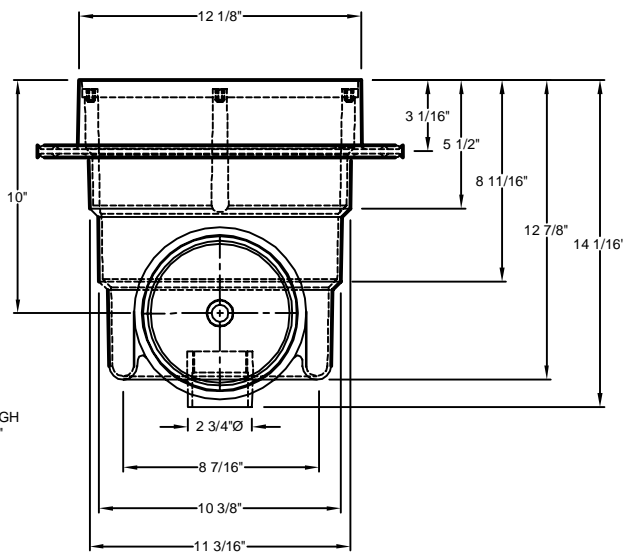
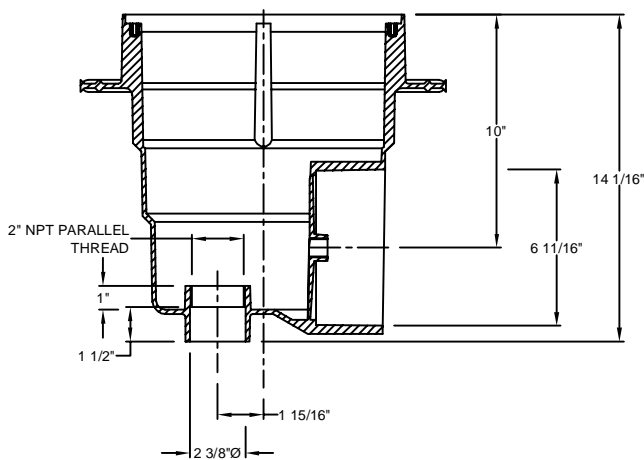


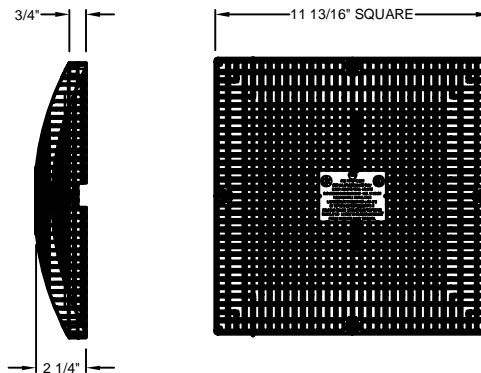
PLAN VIEW



SECTION A-A



SECTION B-B



GRATING SECTION

GRATING PLAN VIEW

GRATING DETAIL

ALL DRAWING DIMENSIONS SUPPLIED BY NEPTUNE-BENSON, LLC ARE FOR REFERENCE ONLY. ALL CAD FILES WERE CREATED USING AUTOCAD FILE FORMAT ("DWG") AND ARE PRESENTED AS A SERVICE TO OUR CUSTOMERS. ERRORS SOMETIMES OCCUR DURING THIS PROCESS AND WITH SOFTWARE INCOMPATIBILITY UPON OPENING A FILE. NEPTUNE-BENSON, LLC AND/OR ANY AUTHORIZED DISTRIBUTOR OF OUR PRODUCTS WILL NOT BE HELD RESPONSIBLE FOR PROBLEMS ARISING FROM FILES WHICH HAVE BEEN CONVERTED AND DOES NOT WARRANT THE DOCUMENTS AGAINST DEFICIENCIES OR TYPOGRAPHICAL ERRORS OF ANY KIND. WE RECOMMEND THAT ALL MEASUREMENTS ARE VERIFIED WITH ACTUAL PHYSICAL PRODUCT BEFORE ANY CUSTOM FABRICATION IN THE FIELD OCCURS.

DO NOT SCALE PRINT

| | | | | |
|----------|----------------------|-------------|------|----------|
| CUSTOMER | ~ | | | |
| PRODUCT | 12" X 12" SUPER SUMP | | | |
| ~ | ~ | | | |
| DRAWN | MJB | DRAWING NO. | REV. | MATERIAL |
| DATE | 11/5/12 | MLD-SG-1212 | - | PVC |
| CHECKED | TWO | | | |
| DATE | 11/5/12 | | | |

| NO. | DATE | BY | DESCRIPTION |
|-----|------|----|-------------|
| ~ | ~ | ~ | ~ |

REVISIONS