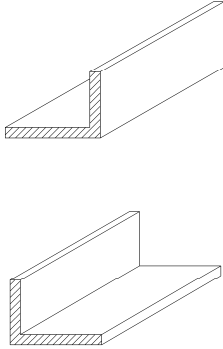


PVC CURB ANGLE (NO TAIL)

PVC Curb Angles (Without Tail) are designed for the sharp finished edge. Allows grating to meet the deck for tile setting or deck finishing. Curb angles are mechanically fastened to pool beam and surrounding deck area.

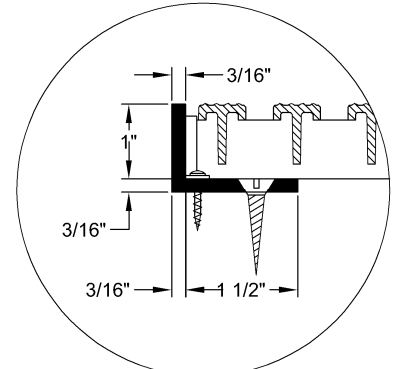


FASTENERS



PVC CURB ANGLE (No Tail)
Secure to concrete at 18 inch (max) intervals with anchors and stainless steel screws supplied by installer.

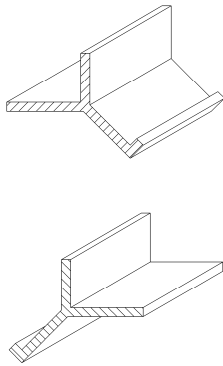
GRATE FASTENERS
Stainless steel clips and tamper proof fasteners supplied by Neptune-Benson install at 2 foot intervals or as specified.



END VIEW

PVC CURB ANGLE (WITH TAIL)

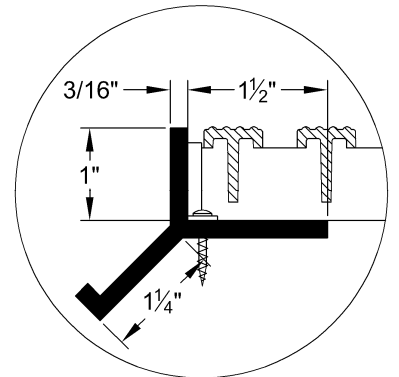
PVC Curb Angles (With Tail) are designed with the same features as the standard curb angle, but also offers an additional PVC 45 degree leg molded for anchoring into wet concrete. This product is installed during the forming of gutter areas only.



FASTENERS



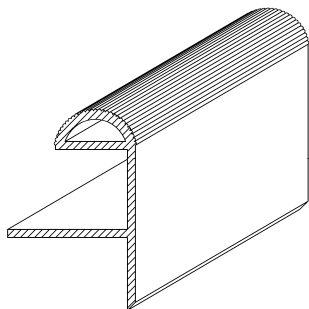
GRATE FASTENERS
Stainless steel clips and tamper proof fasteners supplied by Neptune-Benson install at 2 foot intervals or as specified.



END VIEW

PVC HAND HOLD BRACKET

For added safety and a comfortable way for a swimmer to hold on to the edge of the pool, use our PVC Hand Hold brackets. PVC Hand Holds are designed to be mechanically fastened to the pool beam. All Lawson Aquatics™ grating can be installed in a released slot along the back of the Hand Hold.

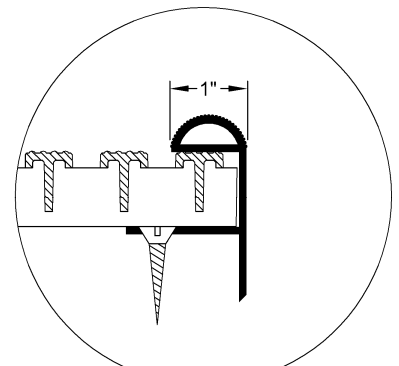


FASTENERS



HAND HOLD
Secure to concrete at 12 inch (max) intervals with anchors and stainless steel screws supplied by installer.

GRATE FASTENERS
Stainless steel clips and tamper proof fasteners supplied by Neptune-Benson install at 2 foot intervals or as specified.

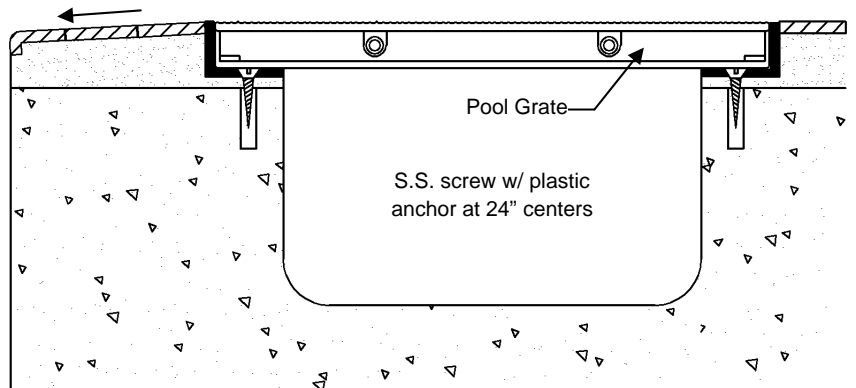


END VIEW

HEAVY DUTY PVC CURB ANGLE (NO TAIL)

SPECIFICATIONS	
Size	Vertical Depth of 1" Horizontal Width of 1-1/2"
Material	Extruded, UV stabilized, corrosion resistant and non-conduction rigid PVC for 1" grate
Color	White, Bone, and Tan

Attach with stainless steel screws into plastic anchors at 18" (max) intervals.

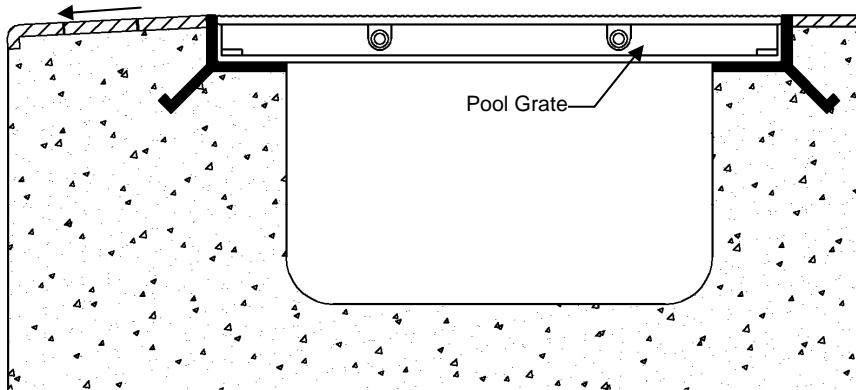


EXAMPLE

HEAVY DUTY PVC CURB ANGLE (WITH TAIL)

SPECIFICATIONS	
Size	Vertical Depth of 1" Horizontal Width of 1-1/2"
Material	Extruded, UV stabilized, corrosion resistant and non-conduction rigid PVC for 1" grate
Color	White

With a continuous angle that bonds into the concrete/gunite when it dries and requires no anchoring system.



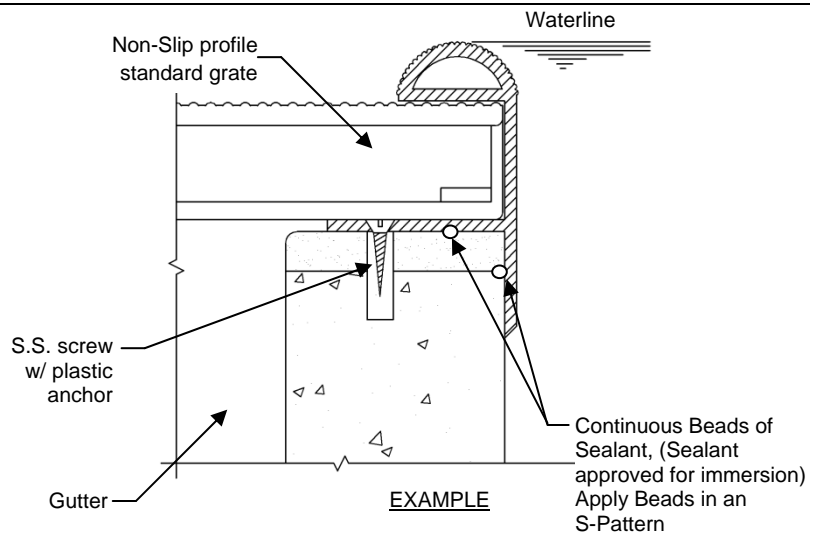
EXAMPLE

PVC HAND HOLD BRACKET

SPECIFICATIONS	
Size	Overall height and width of 1-1/2" from the base A down section of 1" to counter any force by use of the hand hold bracket
Material	Extruded, UV stabilized, corrosion resistant and non-conduction rigid PVC for 1" grate
Color	White, Bone, and Tan

The curved section of the hand hold bracket shall fit all 1" grates snugly and be fastened every 18" (max) intervals to ensure stability.

Fits "T" and "I" bar grates



EXAMPLE