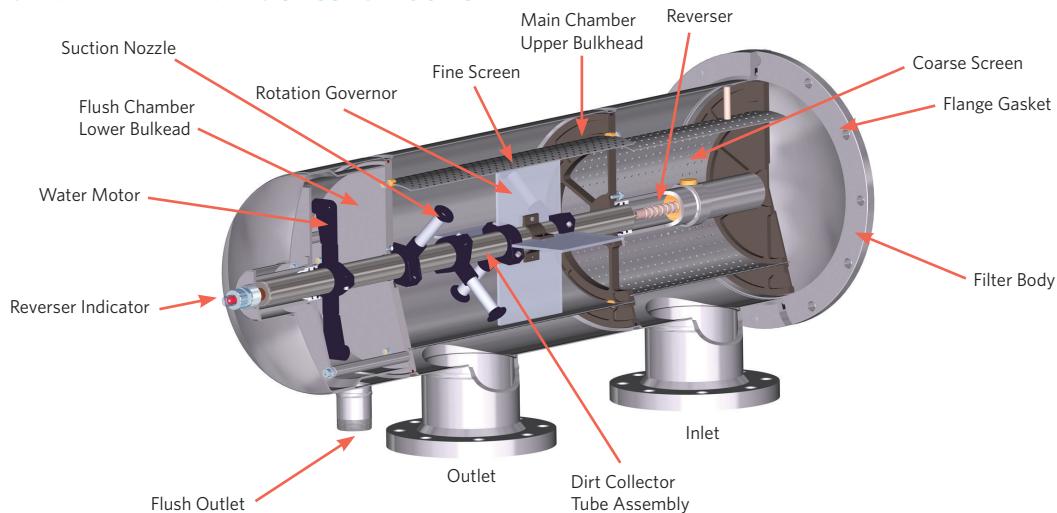


VAF™ FILTRATION SYSTEMS

V-SERIES™ SEAWATER MATERIALS OF CONSTRUCTION



MATERIALS OF CONSTRUCTION

DESCRIPTION	MATERIAL
Filter Body	2205/Duplex Stainless Steel
Coarse Screen	2205/Duplex Stainless Steel
Fine Screen	Consult Evoqua for Options
Inlet/Outlet	2205/Duplex Stainless Steel
Flush Outlet	2205/Duplex Stainless Steel
Flush Chamber Lower Bulkhead	2205 / Duplex Stainless Steel
Main Chamber Upper Bulkhead	Glass Reinforced Acetal
Dirt Collector Tube Assembly	2205/Duplex Stainless Steel
Suction Nozzles	CPVC
Water Motor	Glass Reinforced Nylon
Reverser	Acetal
Rotation Governor	Glass Reinforced Nylon and Acetal
Reverser Indicator	Glass Reinforced Nylon Nut and Acetal Dome
Flange Gasket	Nitrile
O-Rings	EPDM
Seals	EPDM
Hardware	Titanium and Monel

Phone: +1 (303) 425-4242 www.vafusa.com www.evoqua.com

VAF and V-Series are trademarks of Evoqua, its affiliates and subsidiaries in some countries.

All information presented herein is believed reliable and in accordance with accepted engineering practices. Evoqua makes no warranties as to the completeness of this information. Users are responsible for evaluating individual product suitability for specific applications. Evoqua assumes no liability whatsoever for any special, indirect or consequential damages arising from the sale, resale or misuse of its products.

© 2017 Evoqua Water Technologies LLC Subject to change without notice VAF.VSERIESMOCSEA.DS.1217